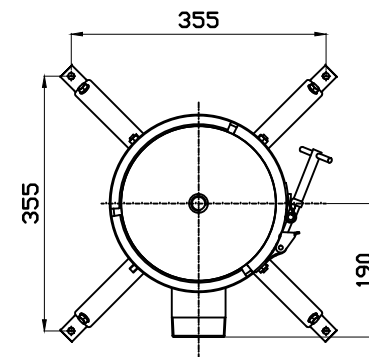
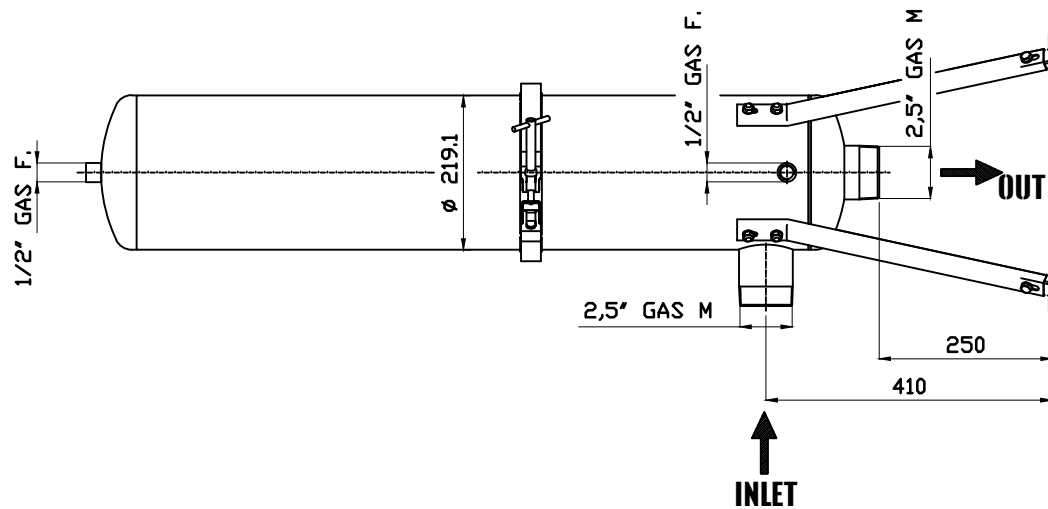
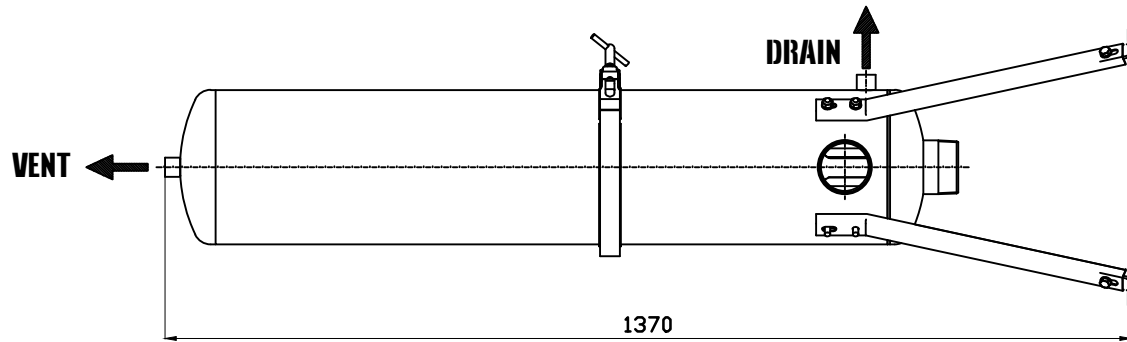


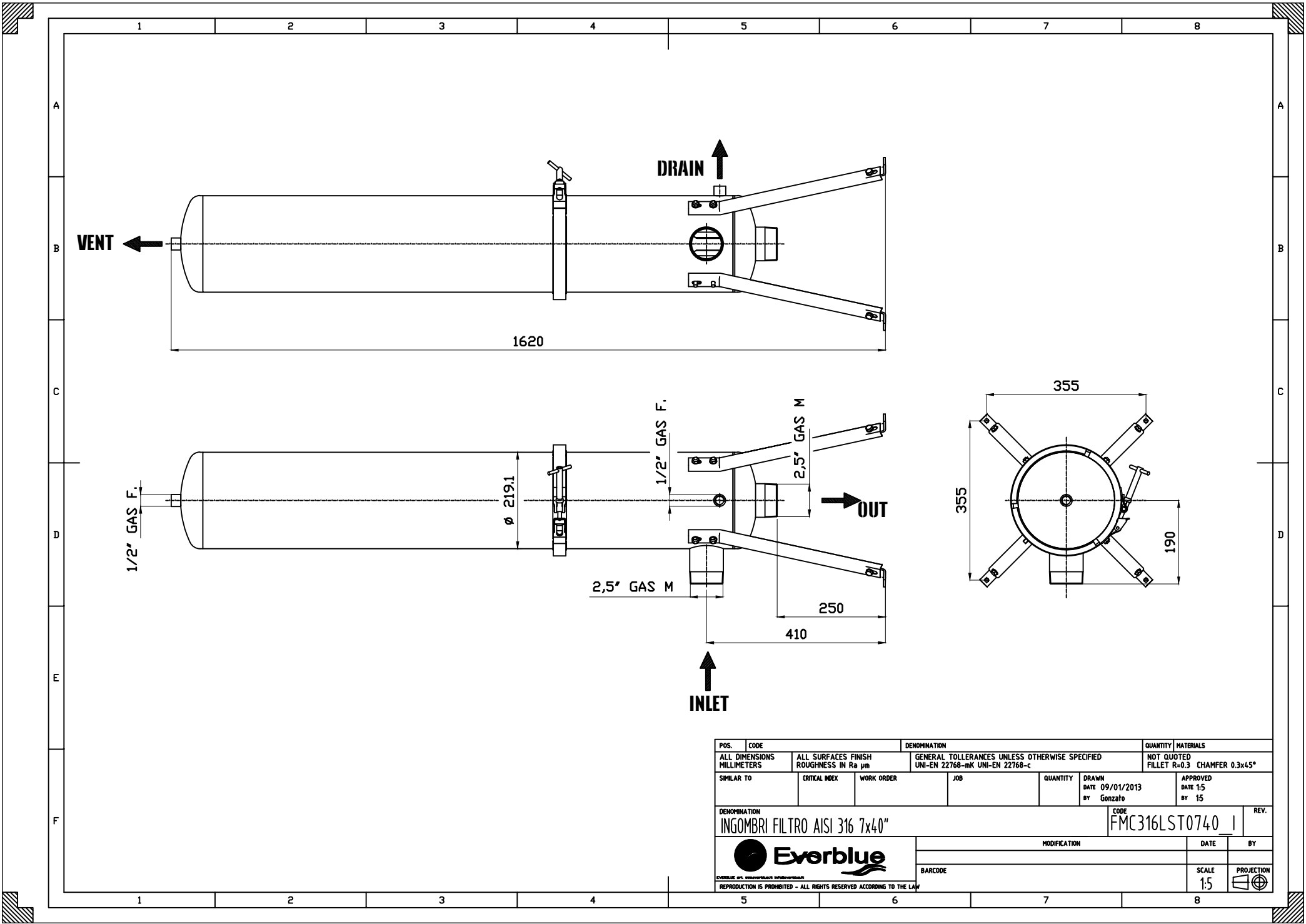



POS.	CODE	DENOMINATION		QUANTITY	MATERIALS
ALL DIMENSIONS MILLIMETERS		ALL SURFACES FINISH ROUGHNESS IN Ra $\mu\text{m}$	GENERAL TOLLERANCES UNLESS OTHERWISE SPECIFIED UNI-EN 22768-mK UNI-EN 22768-c	NOT QUOTED FILLET R=0.3 CHAMFER 0.3x45°	
SIMILAR TO	CRITICAL INDEX	WORK ORDER	JOB	QUANTITY	DRAWN DATE 09/01/2013 BY Gonzalo
DENOMINATION INGOMBRI FILTRO AISI 316 7x20"				CODE FMC316LST0720	APPROVED DATE 15 BY 15
			MODIFICATION	DATE	BY
REPRODUCTION IS PROHIBITED - ALL RIGHTS RESERVED ACCORDING TO THE LAW				SCALE 1:5	PROJECTION 



POS.	CODE	DENOMINATION		QUANTITY	MATERIALS
ALL DIMENSIONS MILLIMETERS	ALL SURFACES FINISH ROUGHNESS IN Ra $\mu$ m	GENERAL TOLERANCES UNLESS OTHERWISE SPECIFIED UNI-EN 22768-mK UNI-EN 22768-c		NOT QUOTED FILLET R=0.3 CHAMFER 0.3x45°	
SIMILAR TO	CRITICAL INDEX	WORK ORDER	JOB	QUANTITY	DRAWN DATE 09/01/2013 BY Gonzalo
APPROVED DATE 15 BY 15				REV.	
DENOMINATION INGOMBRI FILTRO AISI 316 7x30"				CODE FMC316LST0730 1	
			MODIFICATION		DATE
<small>REPRODUCTION IS PROHIBITED - ALL RIGHTS RESERVED ACCORDING TO THE LAW</small>			BARCODE		SCALE 1:5
					PROJECTION 



POS.	CODE	DENOMINATION		QUANTITY	MATERIALS
ALL DIMENSIONS MILLIMETERS		ALL SURFACES FINISH ROUGHNESS IN Ra $\mu$ m	GENERAL TOLERANCES UNLESS OTHERWISE SPECIFIED UNI-EN 22768-mK UNI-EN 22768-c	NOT QUOTED FILLET R=0.3 CHAMFER 0.3x45°	
SIMILAR TO	CRITICAL INDEX	WORK ORDER	JOB	QUANTITY	DRAWN DATE 09/01/2013 BY Gonzalo
DENOMINATION				CODE	APPROVED DATE 15 BY 15
INGOMBRI FILTRO AISI 316 7x40"				FMC316LST0740	1
			MODIFICATION	DATE	BY
<small>REPRODUCTION IS PROHIBITED - ALL RIGHTS RESERVED ACCORDING TO THE LAW</small>				SCALE 1:5	PROJECTION 